

Maurice E Farr
Professional Engineer
23811 105th Street Court East
Buckley, WA 98321-8410

March 30, 2015

To Whom it may concern:

American Safe Room blast doors, single leaf series, ASR-50-BD with up to 39 inch span distance, side to side are certified to withstand a 20 millisecond shock force of 50 PSI in the seated direction and 14.5 PSI in the unseated direction.

Reference drawings:

1. ASR-DD-2: 50 PSI blast load in the seated direction
2. ASR-1.2A: rebound load on cam latch assembly
3. 6033-41: cam latch detail

Drawings were prepared under my direct supervision.

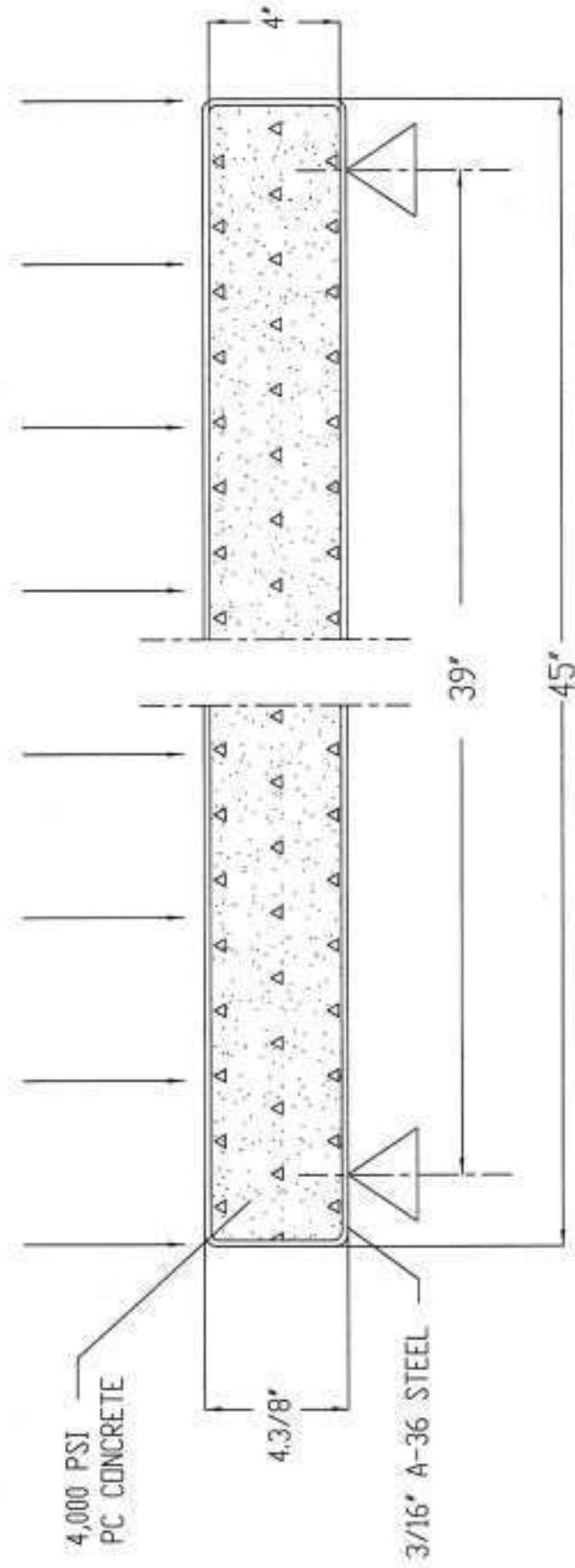
Maurice E Farr, P.E.

Maurice E Farr, PE



Expires 6-15-2016

50 PSI



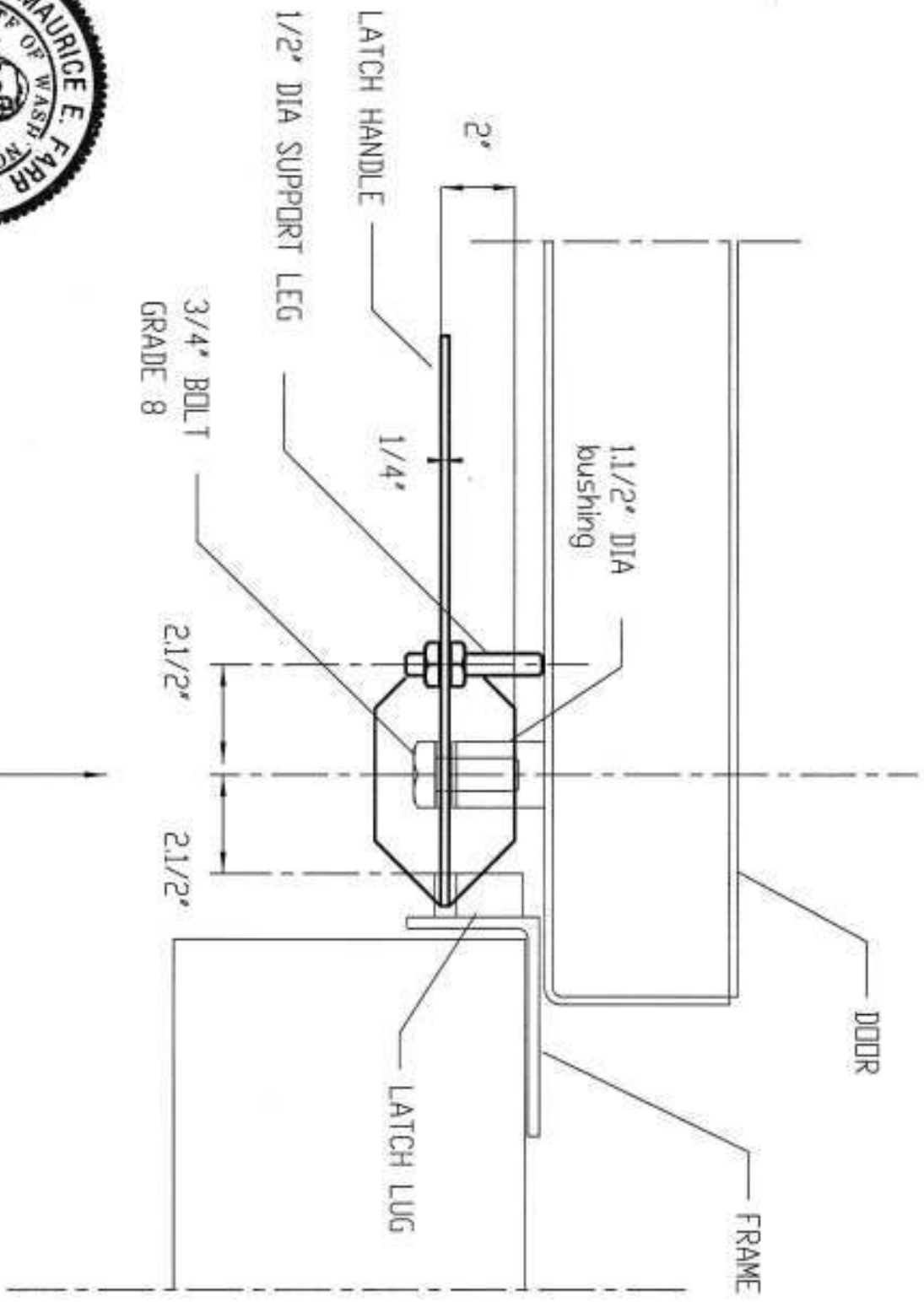
REACTION = UP TO 39'



Expires 6-15-2016

American Safe Room
Vertical Blast Door

| | |
|--------|--------------------|
| Title | OUTSIDE BLAST LOAD |
| Dwg. # | ASR-DD-2 |
| Date | 4-1-2015 Rev. A |



DIRECTION OF FORCE
 14,816 POUNDS



Maurice E. Farr
 4-15

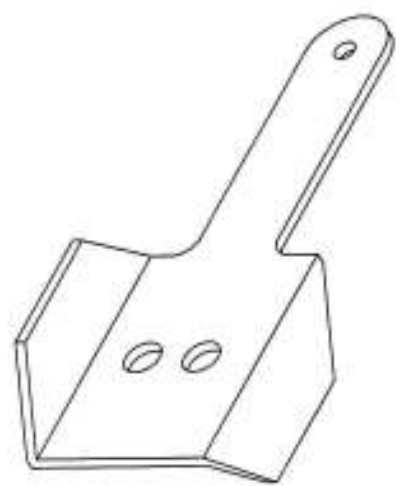
Expires 6-15-2016

LATCH LOAD GEOMETRY
 American Safe Room Inc.
 Vertical Blast Door 3-06

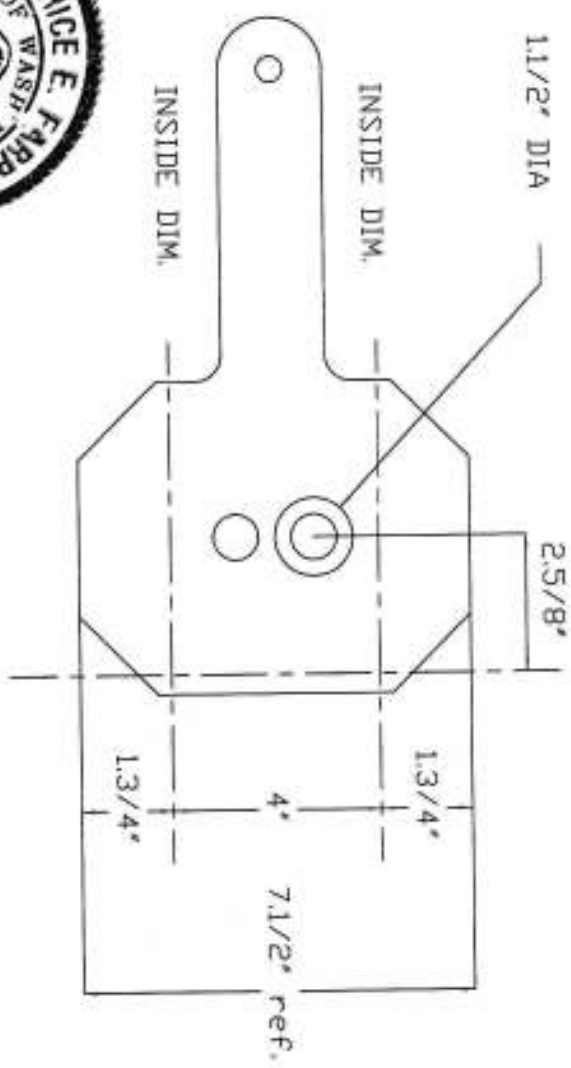
| | |
|--------|--------------|
| Title | Blast Door |
| Dwg. # | ASR-L2A |
| Date | 3-27-06 Rev. |



ONE RIGHT HAND AND ONE LEFT HAND



LEFT HAND SHOWN



M. Farr
Use plasma cut part 6033-41f
Form one leg up and one leg down 90 degrees
4-15 2 each opposite hand required

Expires 6-15-2016

| |
|--------------------------|
| American Safe Room Inc. |
| Vertical Blast Door 3-06 |
| Title Latch handle plate |
| Dwg. # 6033-41 |
| Date 3-27-06 Rev. |