

Maurice E Farr
Professional Engineer
23811 105th Street Court East
Buckley, WA 98321-8410

March 30, 2015

To Whom it may concern:

American Safe Room blast doors, double leaf series, ASR-50-DBL-BD with an 80 inch span distance, inside height are certified to withstand a 20 millisecond shock force of 50 PSI in the seated direction and 14.5 PSI in the unseated direction.

Reference drawings:

1. ASR-DD-3: 50 PSI blast load in the seated direction
2. ASR-1.2A: rebound load on cam latch assembly
3. 6033-41: cam latch detail

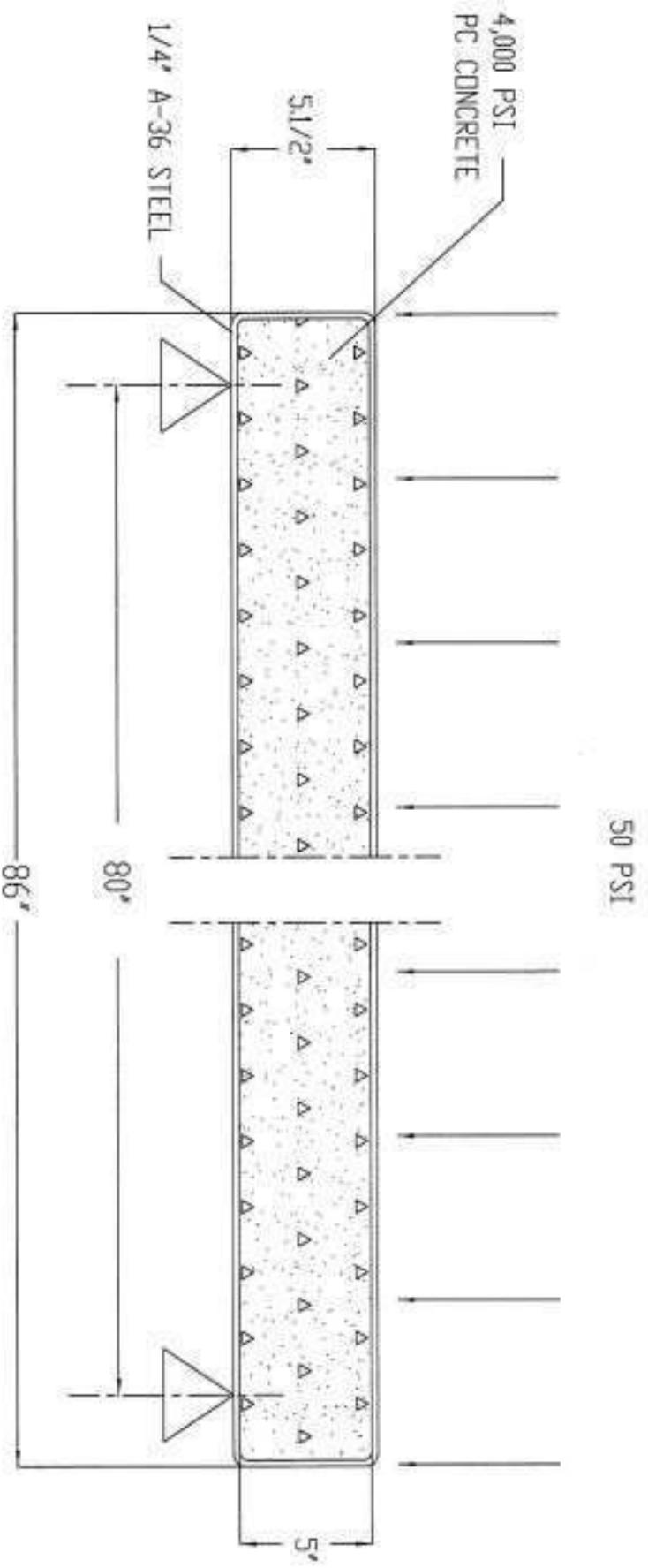
Drawings were prepared under my direct supervision.

Maurice E Farr, P.E.

Maurice E Farr, PE



Expires 6-15-2016



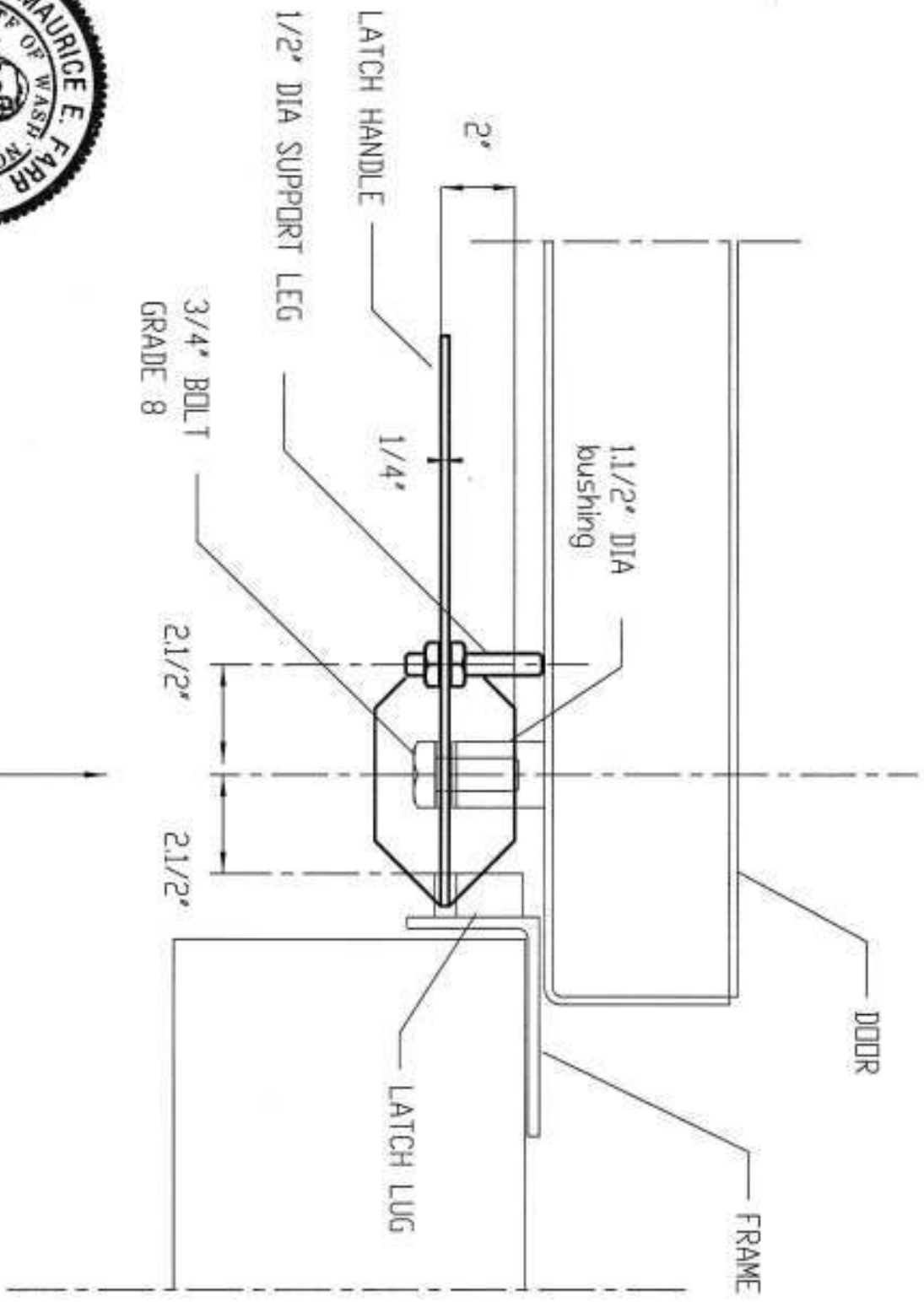
Reaction = 80"



Maurice E. Farr
4-15

Expires 6-15-2016

American Safe Room Vertical Blast Door	
Title	OUTSIDE BLAST LEAD
Dwg. #	ASR-00-3
Date	4-1-2015 Rev. A



DIRECTION OF FORCE
14,816 POUNDS



Maurice E. Farr
4-15

Expires 6-15-2016

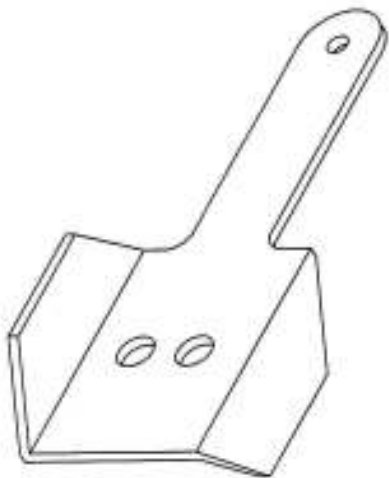
LATCH LOAD GEOMETRY

American Safe Room Inc.
Vertical Blast Door 3-06

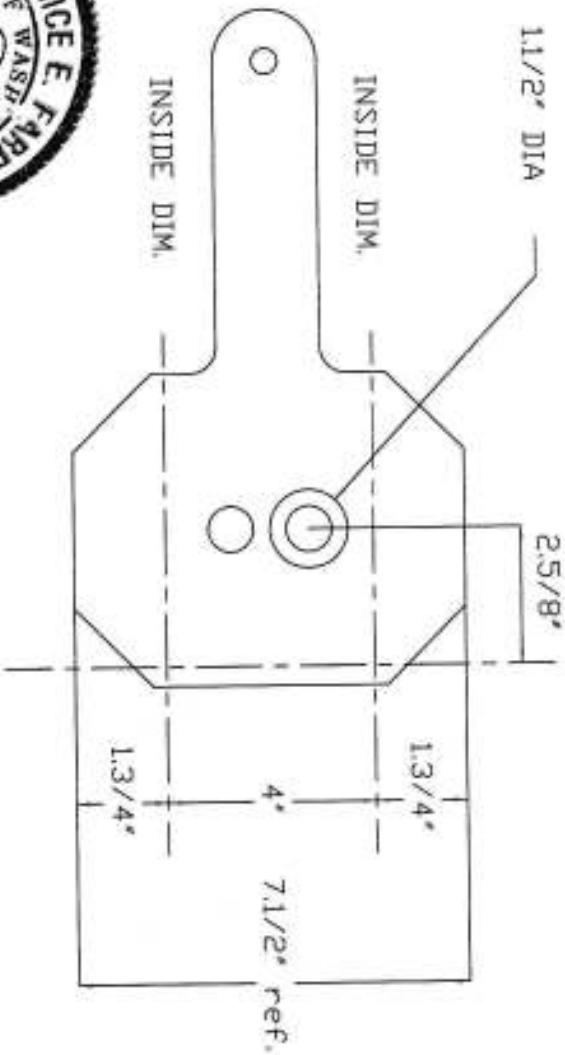
Title	Blast Door
Dwg. #	ASR-L2A
Date	3-27-06 Rev.



ONE RIGHT HAND AND ONE LEFT HAND



LEFT HAND SHOWN



M. Farr

Use plasma cut part 6033-41f

Form one leg up and one leg down 90 degrees
2 each opposite hand required

4-15

Expires 6-15-2016

American Safe Room Inc.
Vertical Blast Door 3-06
Title Latch handle plate
Dwg. # 6033-41
Date 3-27-06 Rev.